



Datasheet 3/2017

High frequency differential choke with excellent attenuation to reduce dV/dt

APPROVALS:

 UL508
 CSA C22.2
 E480443

SCCR by UL508A

FIN5955.(003 - 020).M
FEATURES

- Rated current from 3 to 20A
- Increases motor life
- Protects against voltage spikes to the motor
- Low power loss up to 250 Hz frequency output

MARKETS

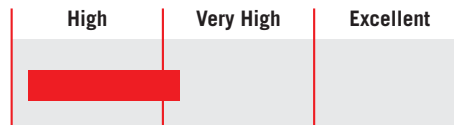
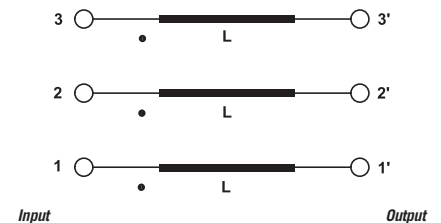
- High speed motors up to 250 Hz
- AC motors controlled by VFDs
- Woodworking equipment
- Spindle motors closed loop

BENEFITS

- 2 Year warranty
- Safety terminal block connectors
- Very compact case

ORDERING CODE

FIN5955	.020	.M
Model	Current (A)	Connection
		M = Terminal block

ATTENUATION INDICATOR

ELECTRIC DIAGRAM

TECHNICAL SPECIFICATIONS

Nominal voltage	0 / 600 Vac
Output frequency	0 - 250 Hz*
Rated current	3 to 20A
Carrier frequency (PWM)	0 - 16 kHz
Potential test voltage phase to phase	2400 Vdc (2 sec.)
Potential test voltage phase to ground	3200 Vdc (2 sec.)
IP Protection	IP20
Overload capability	4 x Rated current (Switch ON) 2 x In 10 seconds 1.5 In for 10 minutes
Climatic class	-40 / +85° C
MTBF at 40°C	250.000 Hrs.

* Optional output frequency 850 Hz

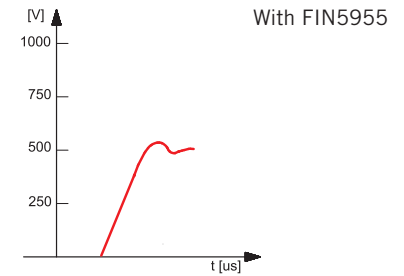
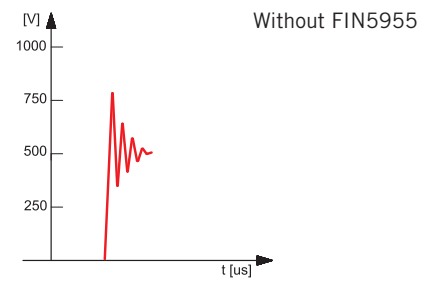
ELECTRICAL CHARACTERISTICS

FIN5955	Rated Current 40°C	Rated Current 50°C	Power Loss (W)
.003.M	3	2	2.2
.006.M	6	5	2.4
.010.M	10	8	2.7
.020.M	20	17	3

CONNECTIONS

LINE			PE	
Solid Cable (mm ²)	Stranded Cable (mm ²)	Terminal Torque (Nm)	V (mm)	Torque (Nm)
0.2 - 10	0.2 - 6	1.2	M4	1.2
0.2 - 10	0.2 - 6	1.2	M4	1.2
0.2 - 10	0.2 - 6	1.2	M4	1.2
0.2 - 10	0.2 - 6	1.2	M4	1.2

TYPICAL MEASUREMENT

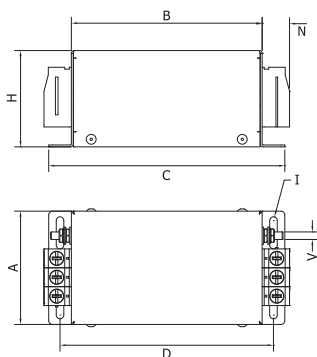


Example of measurement in a typical application using a servo drive

MECHANICAL DIMENSIONS mm

FIN5955	A	B	C	D	H	N	I	V	Weight kg.	Case
.003.M	60	101	125	113	51	11	4x17	M4	0.40	1
.006.M	60	101	125	113	51	11	4x17	M4	0.40	1
.010.M	60	101	125	113	51	11	4x17	M4	0.45	1
.020.M	60	101	125	113	51	11	4x17	M4	0.45	1

CASE 1



ASSEMBLY CONNECTION "M"

