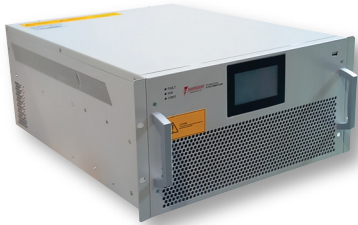




Active harmonic filter with excellent attenuation of current harmonic distortion

Datasheet 5/2023

APPROVALS:



RACK MOUNTED



WALL MOUNTED

FEATURES

- Compact and reliable installation
- Advanced software control algorithm
- Communication protocol RS485, Ethernet
- 3 level NPC topology, IGBT
- Random module combination

BENEFITS

- Harmonic compensation, reactive power compensation and three-phase unbalanced compensation
- Complete protection against overvoltage, undervoltage and short circuits
- Double-DSP control system
- Fault alarm and recording function
- Touch screen HMI interface

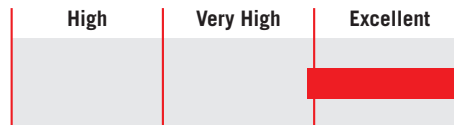
MARKETS

- VFDs and servo drives
- Water and wastewater
- Oil and gas industries
- Commercial buildings
- Process automation
- End-user plants

ORDERING CODE

AHF	.050.	.4	.3F	.R
Model	Current (A)	2 = 220 V 4 = 400 V 5 = 480 V 7 = 690 V	3F = 3phase 4F = 3phase with neutral	R = Rack mount W = Wall mount

ATTENUATION INDICATOR



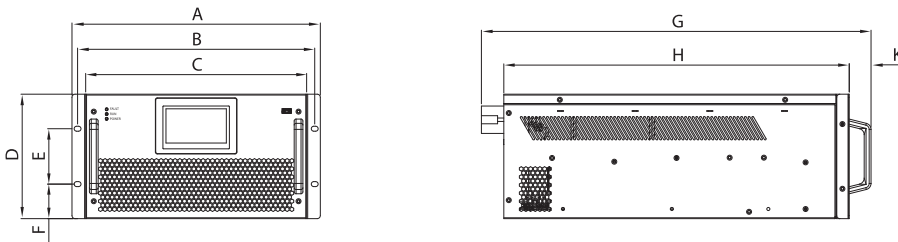
TECHNICAL SPECIFICATIONS

Nominal voltage	400 Vac (other voltages available on request)
Frequency	50 – 60 Hz -5 to +3%
Current compensation	15 to 200A
Overall efficiency	>97%
Power grid structure	3-phase, 3-phase plus neutral
Earthing connection system	TT, TN-C, TN-S, TN-C-S, IT
Current transformer	150:5 ~ 6000:5
Harmonic filtering range	2 nd to 50th orders
Reaction time	<50 us
Overall response time	<5 ms
Switching frequency	20 KHz
Communication ports	RS485, Ethernet
Module display interface	4.3 inch color LCD touch screen
Altitude	1000m Over power decreases by 1% every 100m
Operating temperature	-10°C to + 40°C
Protection class	IP 20
Noise level	<56 dB
Color	Ral 7035, Light gray

RACK MOUNTED

AHF	I (A)	Connection	Air cooling	A	B	C	D	E	F	G	H	K	Case
.050.4.3F.R	50	3P	150 l/s	359	341	315	200	89	55,5	538	500	13	1
.050.4.4F.R	50	3P+N	150 l/s	359	341	315	200	89	55,5	538	500	13	1
.100.4.3F.R	100	3P	300 l/s	484	466	440	232	89	71,5	646	575	35	1
.100.4.4F.R	100	3P+N	300 l/s	484	466	440	232	89	71,5	646	575	35	1
.100.7.3F.R	100	3P	600 l/s	569	551	525	250	89	80,5	697	626	35	1
.100.7.4F.R	100	3P+N	600 l/s	569	551	525	250	89	80,5	697	626	35	1
.150.4.3F.R	150	3P	450 l/s	554	536	510	250	89	80,5	656	585	35	1
.150.4.4F.R	150	3P+N	450 l/s	554	536	510	250	89	80,5	656	585	35	1
.200.4.3F.R	200	3P	600 l/s	674	656	630	250	89	80,5	676	640	30	1
.200.4.4F.R	200	3P+N	600 l/s	674	656	630	250	89	80,5	676	640	30	1

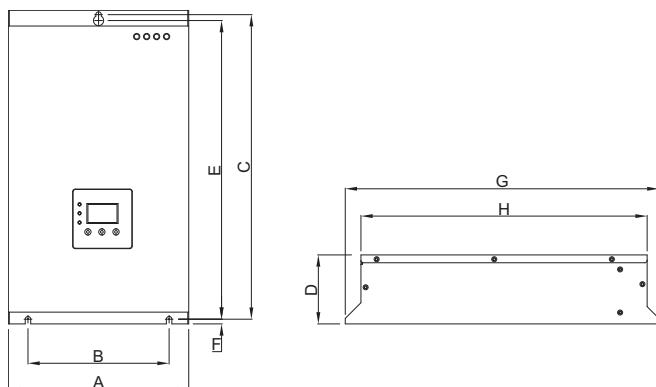
CASE 1



WALL MOUNTED

AHF	I (A)	Connection	Air cooling	A	B	C	D	E	F	G	H	Case
.015.4.3F.W	15	3P	50 l/s	230	180	389	88	331	6	400	350	1
.015.4.4F.W	15	3P+N	50 l/s	230	180	389	88	331	6	400	350	1
.050.4.3F.W	50	3P	150 l/s	378	350	315	200	300	120.5	525	500	2
.050.4.4F.W	50	3P+N	150 l/s	378	350	315	200	300	120.5	525	500	2
.075.4.3F.W	75	3P	225 l/s	418	290	355	200	360	80	556	520	2
.075.4.4F.W	75	3P+N	225 l/s	418	290	355	200	360	80	556	520	2
.100.4.3F.W	100	3P	300 l/s	503	475	440	232	300	137.5	611	575	2
.100.4.4F.W	100	3P+N	300 l/s	503	475	440	232	300	137.5	611	575	2
.150.4.3F.W	150	3P	450 l/s	573	545	510	250	300	142.5	621	585	2
.150.4.4F.W	150	3P+N	450 l/s	573	545	510	250	300	142.5	621	585	2
.200.4.3F.W	200	3P	600 l/s	694	666	630	250	420	110	680	640	2
.200.4.4F.W	200	3P+N	600 l/s	694	666	630	250	420	110	680	640	2

CASE 1



CASE 2

