



**Three-phase line reactor with 3%, 4%, 5% drop for harmonic reduction and inverter protection**

Datasheet 202405

**APPROVALS:**



**LRT025 - LRT030**



**LRT040 - LRT050**



**LRT060 - LRT080**

**CHARACTERISTICS**

- Class H windings
- Compact dimensions
- Available with thermocouples

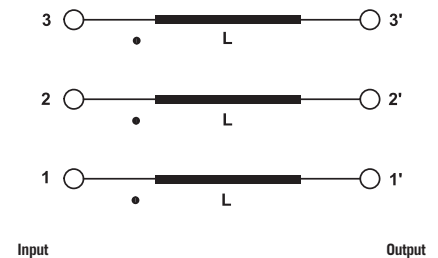
**BENEFITS**

- Minimal power loss
- Ventilation-free design
- Mitigates harmonic distortion

**MARKETS**

- Variable frequency drives / servo drives
- Water treatment plants
- Industrial automation
- HVAC systems

**ELECTRICAL DIAGRAM**



**CODE**

LRT040.0075453MXXA

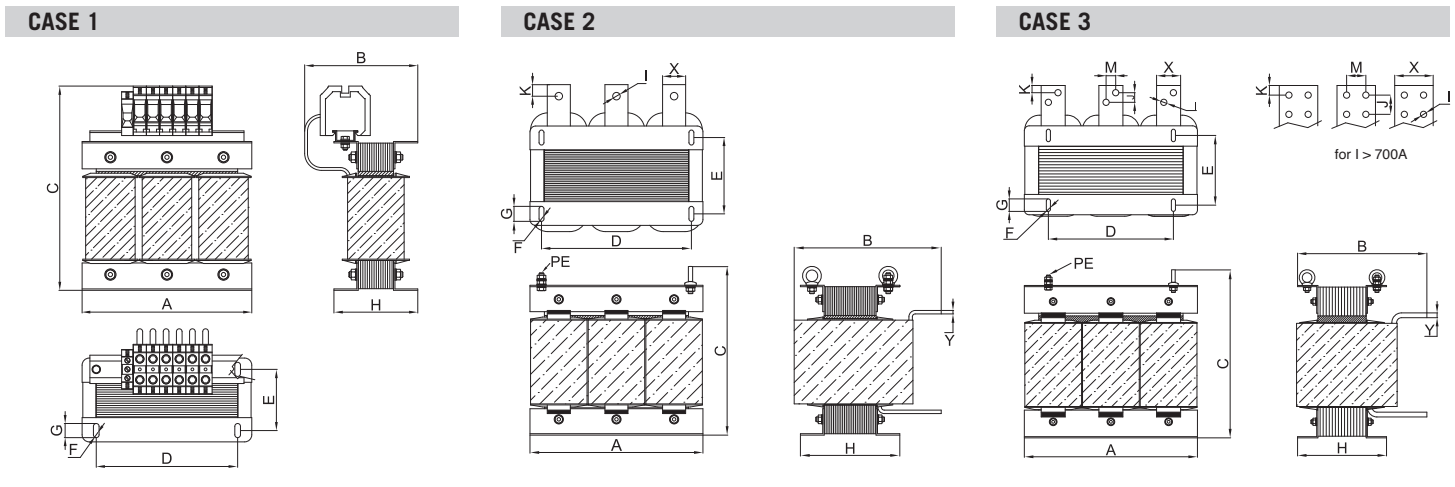
Model	Current	Voltage	Frequency	Drop	Connection	Protection	Open Frame
LRT040	0075	4	5	3	M	XX	A
		400/480 V	50/60 Hz	3 = 3% 4 = 4% 5 = 5%	M = Terminal block B = Bus bar	XX = None T1=1 Thermocouple T3 = 3 Thermocouples	

**TECHNICAL SPECIFICATIONS**

Nominal voltage	400 - 480 Vac
Frequency	50/60 Hz
Rated current	2 - 1000 A
Ambient temperature	40°C Derating $I_T = \sqrt{(85-T)/45}$
Altitude	1000m Derating 0.5% every 100m
Relative humidity	<95% no condensation
Overload capability	1.5 x Rated current
IP Protection	IP20 up to 180A IPO0 over 260A
Optional	Current and inductance customizations available on request

ELECTRICAL CHARACTERISTICS			MECHANICAL DIMENSIONS mm										CONNECTIONS			
LRT	Rated Current 40°C	Power Loss (W)	A	B	C	D	E	F	G	H	Weight (Kg.)	Case	LINE		PE	
													Cable (mm <sup>2</sup> )	Terminal Torque (Nm)	Cable (mm <sup>2</sup> )	Terminal Torque (Nm)
LRT025.0002453MXXA	2	7	150	98	185	125	56	6	13	73	3	1	0.5-4	0.8	0.5-4	0.8
LRT025.0004453MXXA	4	11	150	98	185	125	56	6	13	73	3	1	0.5-4	0.8	0.5-4	0.8
LRT025.0006453MXXA	6	15	150	98	185	125	56	6	13	73	3	1	0.5-4	0.8	0.5-4	0.8
LRT025.0008453MXXA	8	19	150	98	185	125	56	6	13	73	3	1	0.5-4	0.8	0.5-4	0.8
LRT025.0012453MXXA	12	26	150	98	185	125	56	6	13	73	3.5	1	0.5-4	0.8	0.5-4	0.8
LRT025.0016453MXXA	16	25	150	113	189	125	71	6	13	88	5	1	0.5-6	1.8	0.5-6	1.8
LRT025.0020453MXXA	20	30	150	113	189	125	71	6	13	88	5	1	0.5-6	1.8	0.5-6	1.8
LRT030.0025453MXXA	25	35	180	130	218	150	72	8	20	100	6.5	1	0.5-10	1.8	0.5-10	1.8
LRT030.0032453MXXA	32	48	180	140	218	150	82	8	20	110	8	1	0.5-10	1.8	0.5-10	1.8
LRT030.0038453MXXA	38	53	180	140	218	150	82	8	20	110	8	1	1.5-16	3.4	1.5-16	3.4
LRT030.0045453MXXA	45	48	180	150	231	150	92	8	20	120	10	1	1.5-16	3.4	1.5-16	3.4
LRT030.0060453MXXA	60	53	180	165	231	150	107	8	20	135	12	1	1.5-16	3.4	1.5-16	3.4
LRT040.0075453MXXA	75	79	240	149	281	200	87	8	20	119	15	1	1.5-16	3.4	1.5-16	3.4
LRT040.0090453MXXA	90	82	240	160	289	200	87	8	20	119	15.5	1	16-50	5.6	1.5-35	6.5
LRT040.0110453MXXA	110	93	240	170	289	200	97	8	20	129	19	1	16-50	5.6	1.5-35	6.5
LRT040.0130453MXXA	130	108	240	200	309	200	117	8	20	149	24.5	1	35-95	10	16-50	5.6
LRT050.0150453MXXA	150	112	300	184	359	260	103	8	26	143	28	1	35-95	10	16-50	5.6
LRT050.0180453MXXA	180	134	300	200	359	260	103	8	26	143	30	1	35-95	10	16-50	5.6

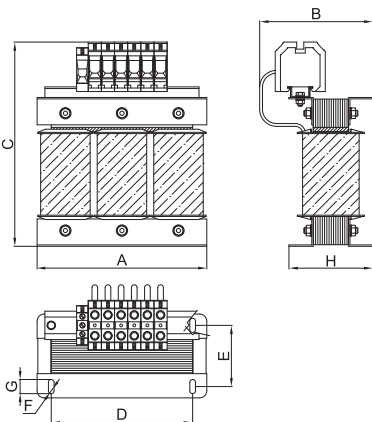
ELECTRICAL CHARACTERISTICS			MECHANICAL DIMENSIONS mm													CONNECTIONS					
LRT	Rated Current 40°C	Power Loss (W)	A	B	C	D	E	F	G	H	I	M	J	K	X	Y	Weight (Kg.)	Case	LINE	PE	
																			Torque (Nm)	Screw (mm)	
LRT050.0210453BXXA	210	104	300	223	295	260	113	8	26	153	11				15	30	6	34	2	25	8x25
LRT050.0260453BXXA	260	134	300	245	295	260	133	8	26	173	13				15	40	6	43	2	50	8x25
LRT050.0320453BXXA	320	142	300	288	295	260	143	8	26	183	13	20	20	15	50	6	52	3	50	8x25	
LRT060.0380453BXXA	380	162	360	242	345	260	115	8	26	155	13	20	20	15	50	6	55	3	50	8x25	
LRT060.0440453BXXA	440	196	360	260	345	260	145	8	26	185	13	14	20	15	40	10	71	3	50	8x25	
LRT060.0500453BXXA	500	210	360	279	345	260	145	8	26	185	13	20	20	15	50	10	73	3	50	8x25	
LRT060.0600453BXXA	600	250	360	334	345	260	185	8	26	225	13	20	20	15	50	10	95	3	50	8x25	
LRT080.0700453BXXA	700	260	480	298	459	360	154	10	30	200	13	20	20	20	60	10	102	3	50	10x35	
LRT080.0800453BXXA	800	355	480	363	459	360	214	10	30	260	13	20	20	20	60	10	165	3	50	10x35	
LRT100.0900453BXXA	900	475	600	360	559	380	210	14	30	254	13	40	40	20	80	10	235	3	50	10x35	
LRT100.1000453BXXA	1000	550	600	360	559	380	210	14	30	254	13	40	40	20	100	10	236	3	50	10x35	



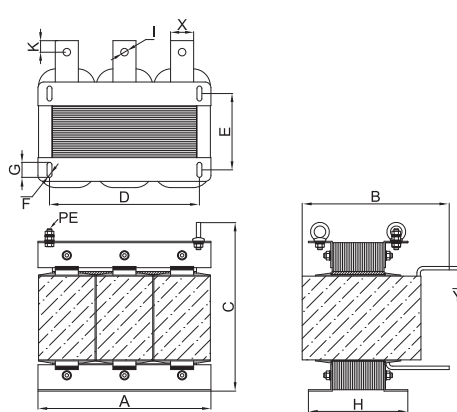
ELECTRICAL CHARACTERISTICS			MECHANICAL DIMENSIONS mm										CONNECTIONS			
LRT	Rated Current 40°C	Power Loss (W)	A	B	C	D	E	F	G	H	Weight (Kg.)	Case	LINE		PE	
													Cable (mm <sup>2</sup> )	Terminal Torque (Nm)	Cable (mm <sup>2</sup> )	Terminal Torque (Nm)
LRT025.0002454MXXA	2	8	150	98	185	125	56	6	13	73	3	1	0.5-6	0.8	0.5-4	0.8
LRT025.0004454MXXA	4	13	150	98	185	125	56	6	13	73	3	1	0.5-4	0.8	0.5-4	0.8
LRT025.0006454MXXA	6	18	150	98	185	125	56	6	13	73	3	1	0.5-4	0.8	0.5-4	0.8
LRT025.0008454MXXA	8	22	150	98	185	125	56	6	13	73	3.5	1	0.5-4	0.8	0.5-4	0.8
LRT025.0012454MXXA	12	29	150	103	185	125	61	6	13	78	4	1	0.5-4	0.8	0.5-4	0.8
LRT025.0016454MXXA	16	31	150	113	189	125	71	6	13	88	5.5	1	0.5-6	1.8	0.5-6	1.8
LRT030.0020454MXXA	20	45	180	125	214	150	72	8	20	100	6.5	1	0.5-6	1.8	0.5-6	1.8
LRT030.0025454MXXA	25	41	180	140	218	150	82	8	20	110	8.5	1	0.5-10	1.8	0.5-10	1.8
LRT030.0032454MXXA	32	51	180	140	218	150	82	8	20	110	9	1	0.5-10	1.8	0.5-10	1.8
LRT030.0038454MXXA	38	47	180	150	231	150	92	8	20	120	10.5	1	1.5-16	3.4	1.5-16	3.4
LRT030.0045454MXXA	45	58	180	165	231	150	107	8	20	135	12.5	1	1.5-16	3.4	1.5-16	3.4
LRT040.0060454MXXA	60	74	240	149	281	200	87	8	20	119	15.5	1	1.5-16	3.4	1.5-16	3.4
LRT040.0075454MXXA	75	87	240	159	281	200	97	8	20	129	19	1	1.5-16	3.4	1.5-16	3.4
LRT040.0090454MXXA	90	92	240	169	289	200	97	8	20	129	19.5	1	16-50	5.6	1.5-35	6.5
LRT040.0110454MXXA	110	109	240	189	289	200	117	8	20	149	26	1	16-50	5.6	1.5-35	6.5
LRT050.0130454MXXA	130	127	300	200	359	260	103	8	26	143	30	1	35-95	10	16-50	5.6
LRT050.0150454MXXA	150	132	300	200	359	260	103	8	26	143	32	1	35-95	10	16-50	5.6
LRT050.0180454MXXA	180	147	300	210	359	260	113	8	26	153	36	1	35-95	10	16-50	5.6

ELECTRICAL CHARACTERISTICS			MECHANICAL DIMENSIONS mm														CONNECTIONS				
LRT	Rated Current 40°C	Power Loss (W)	A	B	C	D	E	F	G	H	I	M	J	K	X	Y	Weight (Kg.)	Case	LINE	PE	
																			Torque (Nm)	Screw (mm)	
LRT050.0210454BXXA	210	133	300	273	295	260	133	8	26	173	11				15	30	6	46	2	25	8x25
LRT060.0260454BXXA	260	154	360	273	345	260	115	8	26	155	13	20	20	15	50	6	52	2	50	8x25	
LRT060.0320454BXXA	320	175	360	289	345	260	115	8	26	155	13	20	20	15	50	6	56	3	50	8x25	
LRT060.0380454BXXA	380	185	360	289	345	260	145	8	26	185	13	20	20	15	50	6	74	3	50	8x25	
LRT060.0440454BXXA	440	225	360	312	345	260	165	8	26	205	13	14	20	15	40	10	85	3	50	8x25	
LRT060.0500454BXXA	500	239	360	315	345	260	165	8	26	205	13	20	20	15	50	10	88	3	50	8x25	
LRT080.0600454BXXA	600	288	480	306	459	360	154	10	30	200	13	20	20	15	50	10	108	3	50	8x25	
LRT080.0700454BXXA	700	335	480	323	459	360	184	10	30	230	13	20	20	20	60	10	135	3	50	10x35	
LRT100.0800454BXXA	800	482	600	375	559	380	210	14	30	252	13	40	40	20	80	10	235	3	50	10x35	
LRT100.0900454BXXA	900	534	600	375	559	380	210	14	30	252	13	40	40	20	80	10	235	3	50	10x35	
LRT100.1000454BXXA	1000	546	600	394	559	380	210	14	30	252	13	40	40	20	100	10	239	3	50	10x35	

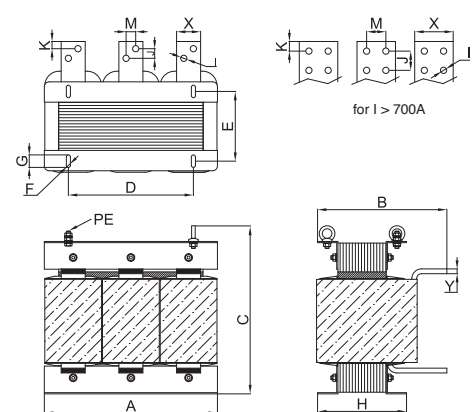
CASE 1



CASE 2



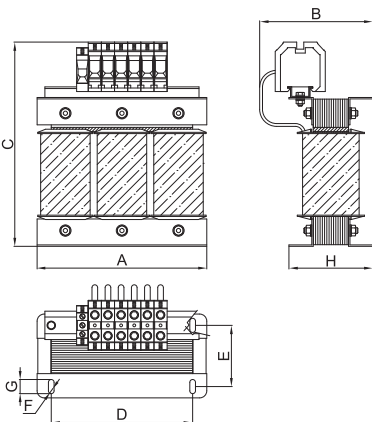
CASE 3



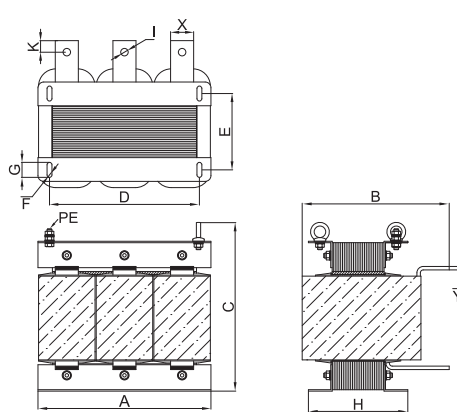
ELECTRICAL CHARACTERISTICS			MECHANICAL DIMENSIONS mm										CONNECTIONS			
LRT	Rated Current 40°C	Power Loss (W)	A	B	C	D	E	F	G	H	Weight (Kg.)	Case	LINE		PE	
													Cable (mm <sup>2</sup> )	Terminal Torque (Nm)	Cable (mm <sup>2</sup> )	Terminal Torque (Nm)
LRT025.0002455MXXA	2	10	150	98	185	125	56	6	13	73	3	1	0.5-6	0.8	0.5-4	0.8
LRT025.0004455MXXA	4	15	150	98	185	125	56	6	13	73	3	1	0.5-4	0.8	0.5-4	0.8
LRT025.0006455MXXA	6	22	150	98	185	125	56	6	13	73	3	1	0.5-4	0.8	0.5-4	0.8
LRT025.0008455MXXA	8	27	150	98	185	125	56	6	13	73	3.5	1	0.5-4	0.8	0.5-4	0.8
LRT025.0012455MXXA	12	29	150	113	185	125	71	6	13	88	5.5	1	0.5-4	0.8	0.5-4	0.8
LRT030.0016455MXXA	16	42	180	125	214	150	72	8	20	100	6.5	1	0.5-6	1.8	0.5-6	1.8
LRT030.0020455MXXA	20	41	180	135	214	150	82	8	20	110	8	1	0.5-6	1.8	0.5-6	1.8
LRT030.0025455MXXA	25	50	180	140	218	150	82	8	20	110	8.5	1	0.5-10	1.8	0.5-10	1.8
LRT030.0032455MXXA	32	59	180	150	218	150	92	8	20	120	10.5	1	0.5-10	1.8	0.5-10	1.8
LRT030.0038455MXXA	38	55	180	165	231	150	107	8	20	135	13.5	1	1.5-16	3.4	1.5-16	3.4
LRT040.0045455MXXA	45	73	240	149	281	200	87	8	20	119	15.5	1	1.5-16	3.4	1.5-16	3.4
LRT040.0060455MXXA	60	88	240	149	281	200	87	8	20	119	16.5	1	1.5-16	3.4	1.5-16	3.4
LRT040.0075455MXXA	75	94	240	179	281	200	117	8	20	149	25	1	1.5-16	3.4	1.5-16	3.4
LRT040.0090455MXXA	90	112	240	189	289	200	117	8	20	149	25	1	16-50	5.6	1.5-35	6.5
LRT040.0110455MXXA	110	116	240	189	289	200	117	8	20	149	27	1	16-50	5.6	1.5-35	6.5
LRT050.0130455MXXA	130	138	300	193	359	260	113	8	26	153	35	1	35-95	10	16-50	5.6
LRT050.0130455MXXA	150	148	300	193	359	260	113	8	26	153	37	1	35-95	10	16-50	5.6
LRT050.0180455MXXA	180	169	300	220	359	260	133	8	26	173	45	1	35-95	10	16-50	5.6

ELECTRICAL CHARACTERISTICS			MECHANICAL DIMENSIONS mm													CONNECTIONS					
LRT	Rated Current 40°C	Power Loss (W)	A	B	C	D	E	F	G	H	I	M	J	K	X	Y	Weight (Kg.)	Case	LINE	PE	
																			Torque (Nm)	Screw (mm)	
LRT050.0210455BXXA	210	152	300	286	295	260	143	8	26	183	11				15	30	6	51.5	2	25	8x25
LRT060.0260455BXXA	260	180	360	299	345	260	145	8	26	185	13	20	20	15	50	6	71	2	50	8x25	
LRT060.0320455BXXA	320	201	360	310	345	260	145	8	26	185	13	20	20	15	50	6	74	3	50	8x25	
LRT060.0380455BXXA	380	228	360	323	345	260	165	8	26	205	13	20	20	15	50	6	90	3	50	8x25	
LRT080.0440455BXXA	440	285	480	315	445	360	154	10	30	200	13	14	20	15	40	10	104	3	50	8x25	
LRT080.0500455BXXA	500	302	480	321	445	360	154	10	30	200	13	20	20	15	50	10	110	3	50	8x25	
LRT080.0600455BXXA	600	318	480	321	445	360	184	10	30	230	13	20	20	15	50	10	139	3	50	8x25	
LRT080.0700455BXXA	700	398	480	353	445	360	214	10	30	260	13	20	20	20	60	10	169	3	50	10x35	
LRT100.0800455BXXA	800	537	600	387	559	380	210	14	30	252	13	40	40	20	80	10	239	3	50	10x35	
LRT100.0900455BXXA	900	557	600	389	559	380	210	14	30	252	13	40	40	20	80	10	244	3	50	10x35	
LRT100.1000455BXXA	1000	640	600	417	559	380	210	14	30	252	13	40	40	20	100	10	290	3	50	10x35	

CASE 1



CASE 2



CASE 3

