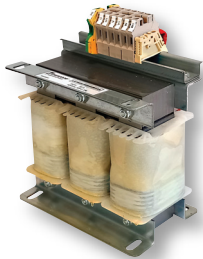




Datasheet 202402

## Load reactor with high attenuation for effective dV/dt reduction

### APPROVALS:



**ORT025 - ORT030**



**ORT040 - ORT050**



**ORT060 - ORT080**

### CHARACTERISTICS

- Class H windings
- Compact dimensions
- Available with thermocouples

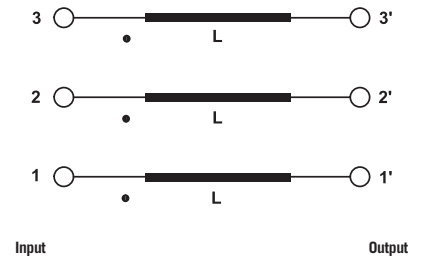
### BENEFITS

- Minimal power loss
- Ventilation-free design
- Reduces dV/dt voltage peaks

### MARKETS

- Variable frequency drives / servo drives
- Water treatment plants
- Industrial automation

### ELECTRICAL DIAGRAM



### CODE

LRT040.0075453MXXA

Model	Current	Voltage	Frequency	Drop	Connection	Protection	Open Frame
LRT040	0075	4	5	2	M	XX	A
		400/480 V	50/60 Hz		M = Clamp B = Bus bar	XX = None T1=1 Thermocouple T3 = 3 Thermocouples	

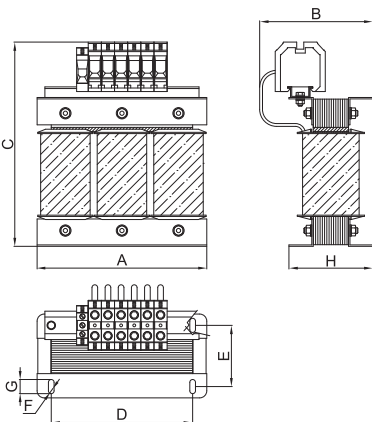
### TECHNICAL SPECIFICATIONS

Nominal voltage	0 - 690 Vac
Frequency	Up to 70 Hz
Rated current	2 - 1000 A
Switching frequency	Up to 16 kHz
Ambient temperature	40°C derating $I_T = \sqrt{(85-T)/45}$
Altitude	1000m Derating 0.5% every 100m
Relative humidity	<95% no condensation
Overload capability	1.5 x Rated current
IP Protection	IP20 up to 180 A IP00 over 260 A
Optional	Current and inductance customizations available on request

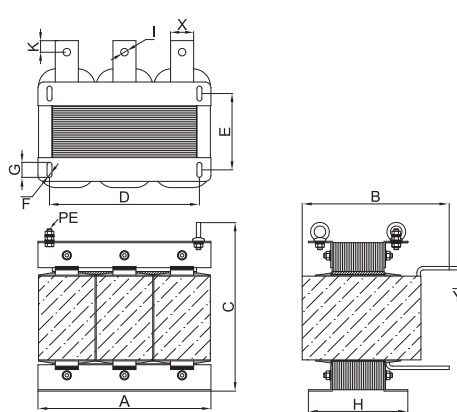
ELECTRICAL CHARACTERISTICS			MECHANICAL DIMENSIONS mm										CONNECTIONS			
ORT	Rated Current 40°C	Power Loss (W)	A	B	C	D	E	F	G	H	Weight (Kg.)	Case	LINE		PE	
													Cable (mm <sup>2</sup> )	Terminal Torque (Nm)	Cable (mm <sup>2</sup> )	Terminal Torque (Nm)
ORT025.0002452MXXA	2	6	150	98	185	125	56	6	13	73	3	1	0.5-4	0.8	0.5-4	0.8
ORT025.0004452MXXA	4	8	150	98	185	125	56	6	13	73	3	1	0.5-4	0.8	0.5-4	0.8
ORT025.0006452MXXA	6	11	150	98	185	125	56	6	13	73	3	1	0.5-4	0.8	0.5-4	0.8
ORT025.0008452MXXA	8	13	150	98	185	125	56	6	13	73	3	1	0.5-4	0.8	0.5-4	0.8
ORT025.0012452MXXA	12	19	150	98	185	125	56	6	13	73	3.5	1	0.5-4	0.8	0.5-4	0.8
ORT025.0016452MXXA	16	24	150	98	189	125	56	6	13	73	3.5	1	0.5-6	1.8	0.5-6	1.8
ORT025.0020452MXXA	20	26	150	103	189	125	61	6	13	78	5	1	0.5-6	1.8	0.5-6	1.8
ORT025.0025452MXXA	25	27	150	118	193	125	71	6	13	88	6.5	1	0.5-10	1.8	0.5-10	1.8
ORT025.0032452MXXA	32	33	150	118	193	125	71	6	13	88	6.5	1	0.5-10	1.8	0.5-10	1.8
ORT030.0038452MXXA	38	43	180	130	231	150	72	8	20	100	8	1	1.5-16	3.4	1.5-16	3.4
ORT030.0045452MXXA	45	47	180	140	231	150	82	8	20	110	8	1	1.5-16	3.4	1.5-16	3.4
ORT030.0060452MXXA	60	52	180	150	231	150	92	8	20	120	12	1	1.5-16	3.4	1.5-16	3.4
ORT030.0075452MXXA	75	57	180	150	231	150	92	8	20	120	12	1	1.5-16	3.4	1.5-16	3.4
ORT030.0090452MXXA	90	65	180	175	239	150	107	8	20	135	12	1	16-50	5.6	15-35	6.5
ORT040.0110452MXXA	110	84	240	170	302	200	87	8	20	119	19	1	16-50	5.6	15-35	6.5
ORT040.0130452MXXA	130	78	240	190	309	200	97	8	20	129	24.5	1	35-95	10	16-50	5.6
ORT040.0150452MXXA	150	87	240	210	309	200	117	8	20	149	28	1	35-95	10	16-50	5.6
ORT040.0180452MXXA	180	97	240	210	309	200	117	8	20	149	28	1	35-95	10	16-50	5.6

ELECTRICAL CHARACTERISTICS			MECHANICAL DIMENSIONS mm													CONNECTIONS				
ORT	Rated Current 40°C	Power Loss (W)	A	B	C	D	E	F	G	H	I	M	J	K	X	Y	Weight (Kg.)	Case	LINE	PE
																			Torque (Nm)	Screw (mm)
ORT050.0210452BXXA	210	102	300	180	295	260	103	8	26	143	11				30	6	34	2	25	8x25
ORT050.0260452BXXA	260	126	300	187	295	260	103	8	26	153	13				40	6	34	2	50	8x25
ORT050.0320452BXXA	320	112	300	227	295	260	113	8	26	153	13	20	20		50	6	52	3	50	8x25
ORT050.0380452BXXA	380	126	300	245	295	260	113	8	26	155	13	14	20		40	10	55	3	50	8x25
ORT060.0440452BXXA	440	138	360	240	345	260	115	8	26	155	13	14	20	15	50	10	71	3	50	8x25
ORT060.0500452BXXA	500	160	360	240	345	260	115	8	26	155	13	20	20	15	50	10	73	3	50	8x25
ORT060.0600452BXXA	600	195	360	257	345	260	145	8	26	185	13	20	20	15	50	10	95	3	50	8x25
ORT080.0700452BXXA	700	234	480	317	459	360	154	10	30	200	13	20	20	20	60	10	102	3	50	10x35
ORT080.0800452BXXA	800	286	480	352	459	360	184	10	30	230	13	40	40	20	80	10	165	3	50	10x35
ORT080.0900452BXXA	900	318	480	370	459	360	214	10	30	260	13	40	40	20	80	10	235	3	50	10x35
ORT080.1000452BXXA	1000	347	480	370	459	360	214	10	30	260	13	40	40	20	80	10	236	3	50	10x35

**CASE 1**



**CASE 2**



**CASE 3**

